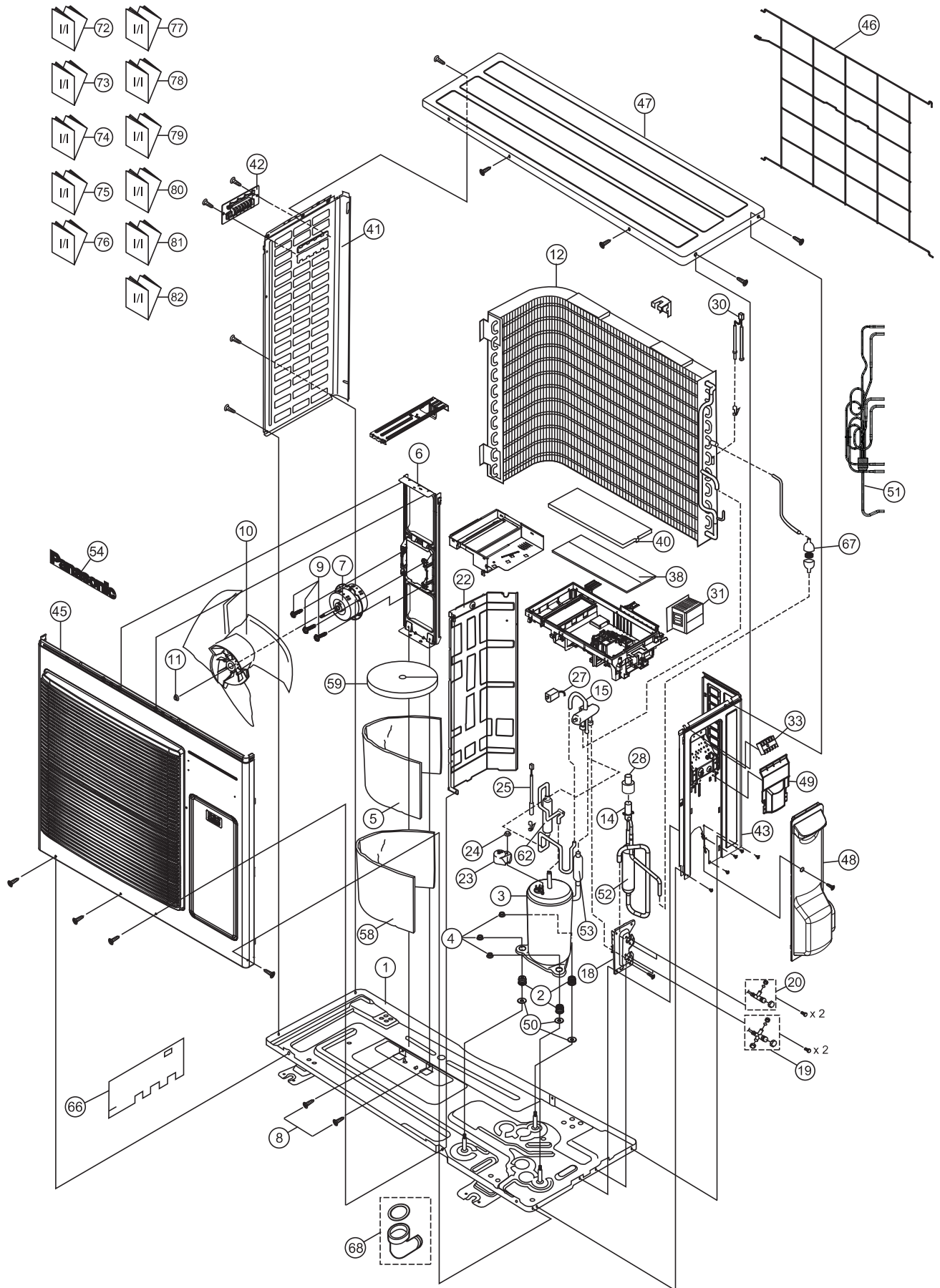


## 22.2.3 CU-Z50TKE CU-Z71TKE



**Note**  
 The above exploded view is for the purpose of parts disassembly and replacement.  
 The non-numbered parts are not kept as standard service parts.

SAFETY	REF. NO.	PART NAME & DESCRIPTION	QTY.	CU-Z50TKE	CU-Z71TKE	REMARK
	1	CHASSIS COMPLETE	1	ACXD52K00320	ACXD52K00280	
	2	ANTI - VIBRATION BUSHING	3	CWH50077	CWH50055	
⚠	3	COMPRESSOR	1	9RD132XAA21	9KD240XBA21	O
	4	NUT - COMPRESSOR MOUNT	3	CWH561096	CWH561049	
	5	SOUND PROOF MATERIAL	1	CWG302950	CWG302997	
	6	FAN MOTOR BRACKET	1	ACXD54-00140	←	
⚠	7	FAN MOTOR	1	L6CAYYYL0076	←	O
	8	SCREW - FAN MOTOR BRACKET	2	CWH551217	←	
	9	SCREW - FAN MOTOR MOUNT	4	CWH551106J	←	
	10	PROPELLER FAN ASSY	1	ACXH03K00070	←	
	11	NUT - PROPELLER FAN	1	CWH56053J	←	
	12	CONDENSER	1	ACXB32C02120	ACXB32C01930	
	14	EXPANSION VALVE	1	CWB051078	CWB051079	
	15	4-WAYS VALVE	1	ACXB00-00140	←	O
	18	HOLDER COUPLING	1	ACXH35-00080	←	
	19	3-WAY VALVE (GAS)	1	ACXB01-00580	CWB011363	O
	20	2-WAYS VALVE (LIQUID)	1	ACXB02-00210	ACXB02-00220	O
	22	SOUND PROOF BOARD	1	ACXH15-00200	ACXH15-00230	
	23	TERMINAL COVER	1	CWH171039A	←	
	24	NUT - TERMINAL COVER	1	CWH7080300J	←	
	25	SENSOR CO - CN-TANK	1	CWA50C2185	←	O
⚠	27	V-COIL COMPLETE (4-WAY VALVE)	1	ACXA43C00250	←	O
⚠	28	V-COIL COMPLETE (EXP. VALVE)	1	CWA43C2603	←	O
	30	SENSOR - COMPLETE	1	CWA50C3079	←	
⚠	31	REACTOR	1	G0C392J00027	←	O
⚠	33	TERMINAL BOARD ASSY	1	CWA28K1298	←	O
⚠	38	ELECTRONIC CONTROLLER - MAIN	1	ACXA73C20700R	ACXA73C11540R	O
	40	CONTROL BOARD COVER - TOP	1	ACXH13-00490	←	
	41	CABINET SIDE PLATE (LEFT)	1	ACXE04-00490A	←	
	42	HANDLE	1	CWE161010	←	
	43	CABINET SIDE PLATE (RIGHT)	1	ACXE04C00690	ACXE04C00620	
	45	CABINET FRONT PLATE CO.	1	ACXE06K00050	←	
	46	WIRE NET	1	ACXD04-00130A	←	
	47	CABINET TOP PLATE	1	ACXE03-00170A	←	
	48	CONTROL BOARD COVER - COMPLETE	1	ACXH13C00170	←	
	49	CONTROL BOARD COVER	1	CWH131470	←	
	50	PACKING	3	-	CWB81043	
	51	TUBE ASS'Y (CAPILLARY TUBE)	1	-	ACXT00C05240	
	52	RECEIVER	1	-	CWB14030	
	53	ACCUMULATOR	1	-	ACXB13-00010	
	54	PANASONIC BADGE	1	CWE373439	←	
	58	SOUND PROOF MATERIAL	1	CWG302636	←	
	59	SOUND PROOF MATERIAL	1	CWG302630	CWG302246	
	62	RECEIVER	1	CWB14011	CWB121013	
	66	SOUND PROOF MATERIAL	1	CWG302632	-	
	67	STRAINER	1	CWB11094	CWB111032	
	68	BAG - COMPLETE	1	CWG87C900	←	
	72	INSTALLATION INSTRUCTION	1	ACXF60-03890	←	
	73	INSTALLATION INSTRUCTION	1	ACXF60-03900	←	

SAFETY	REF. NO.	PART NAME & DESCRIPTION	QTY.	CU-Z50TKE	CU-Z71TKE	REMARK
	74	INSTALLATION INSTRUCTION	1	ACXF60-03910	←	
	75	INSTALLATION INSTRUCTION	1	ACXF60-03920	←	
	76	INSTALLATION INSTRUCTION	1	ACXF60-03930	←	
	77	INSTALLATION INSTRUCTION	1	ACXF60-03940	←	
	78	INSTALLATION INSTRUCTION	1	ACXF60-03950	←	
	79	INSTALLATION INSTRUCTION	1	ACXF60-03960	←	
	80	INSTALLATION INSTRUCTION	1	ACXF60-03970	←	
	81	INSTALLATION INSTRUCTION	1	ACXF60-03980	←	
	82	INSTALLATION INSTRUCTION	1	ACXF60-03990	←	

(NOTE)

- All parts are supplied from PAPAMY, Malaysia (Vendor Code: 00029488).
- “O” marked parts are recommended to be kept in stock.